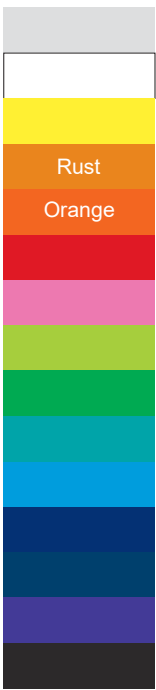
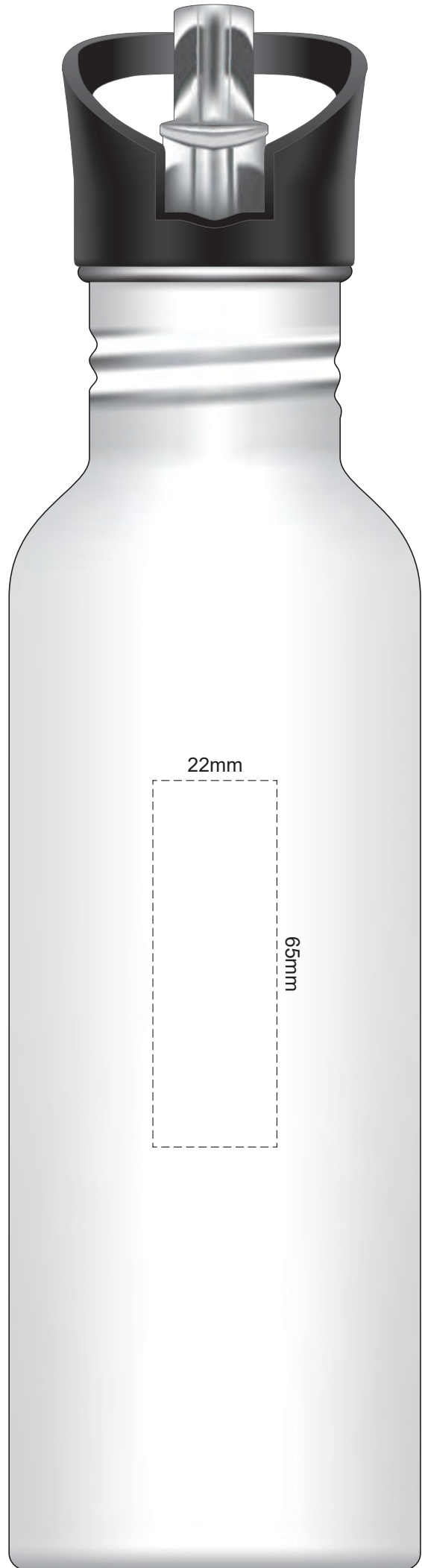
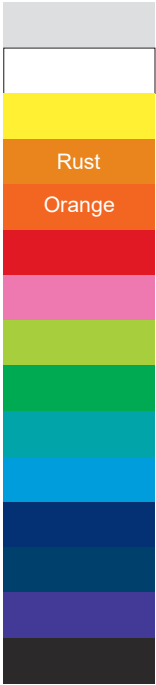


100% of Actual Size
Pad Print



100% of Actual Size
Pad Print





90% of Actual Size
Screen Print

180mm

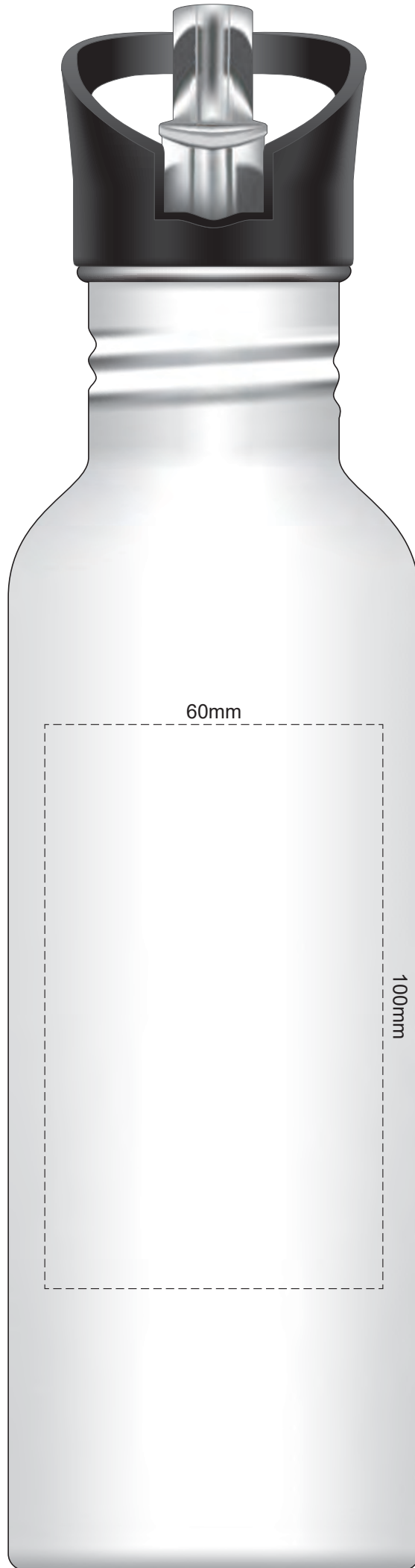
Approximately 20mm unprintable area

Approximately 20mm unprintable area

120mm

Red Line = Exact opposites of the product
(centre artwork to the red line)

100% of Actual Size
Engraving



-  Stainless Engraves to a Natural Etch
-  Colours Engraves to a Shiny Steel Finish

80% of Actual Size
Rotary Digital
(Gloss Finish)



224mm

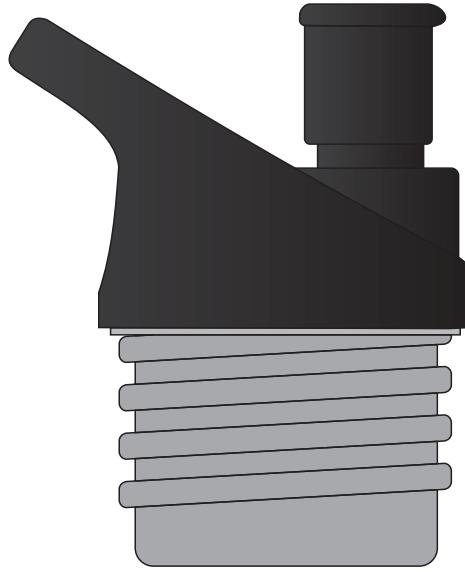
Approximately 1mm unprintable area

Approximately 163mm unprintable area

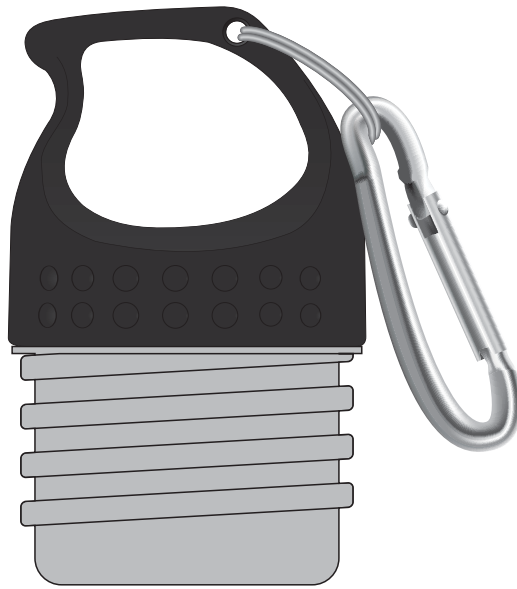
Red Line = Exact opposites of the product
(centre artwork to the red line)



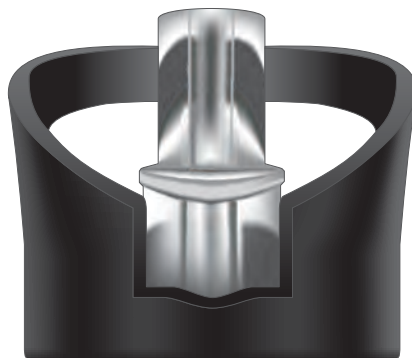
SIPPER LID



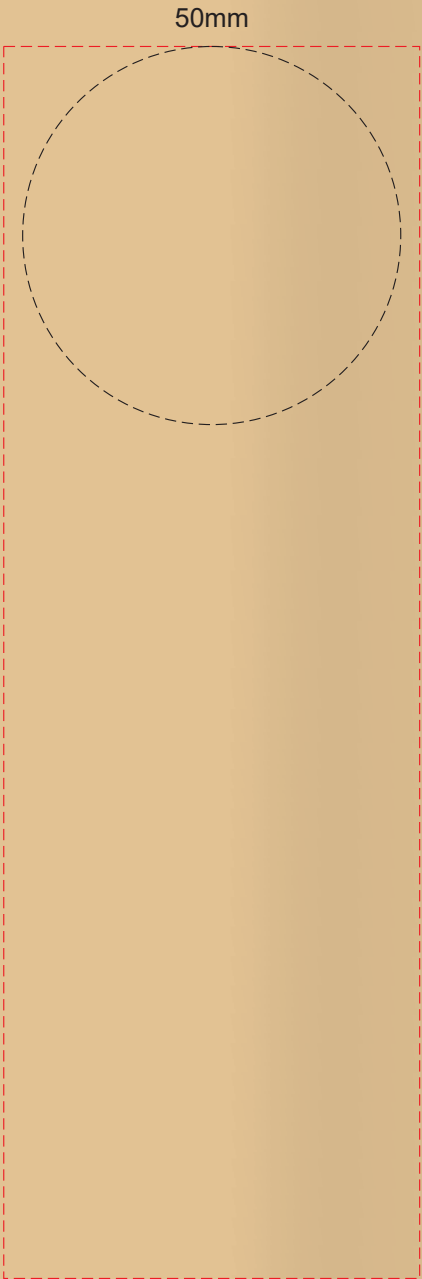
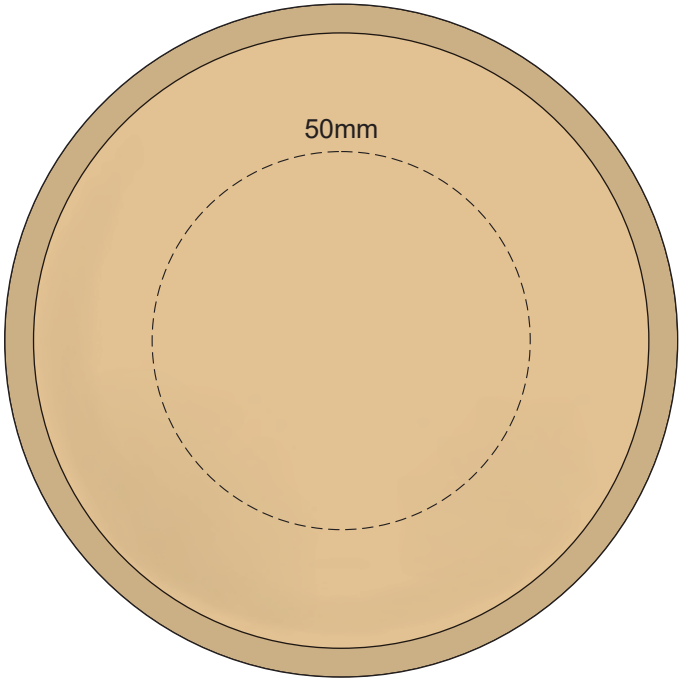
CARABINER LID



FLIP VALVE LID



100% of Actual Size
Pad Print (one colour)

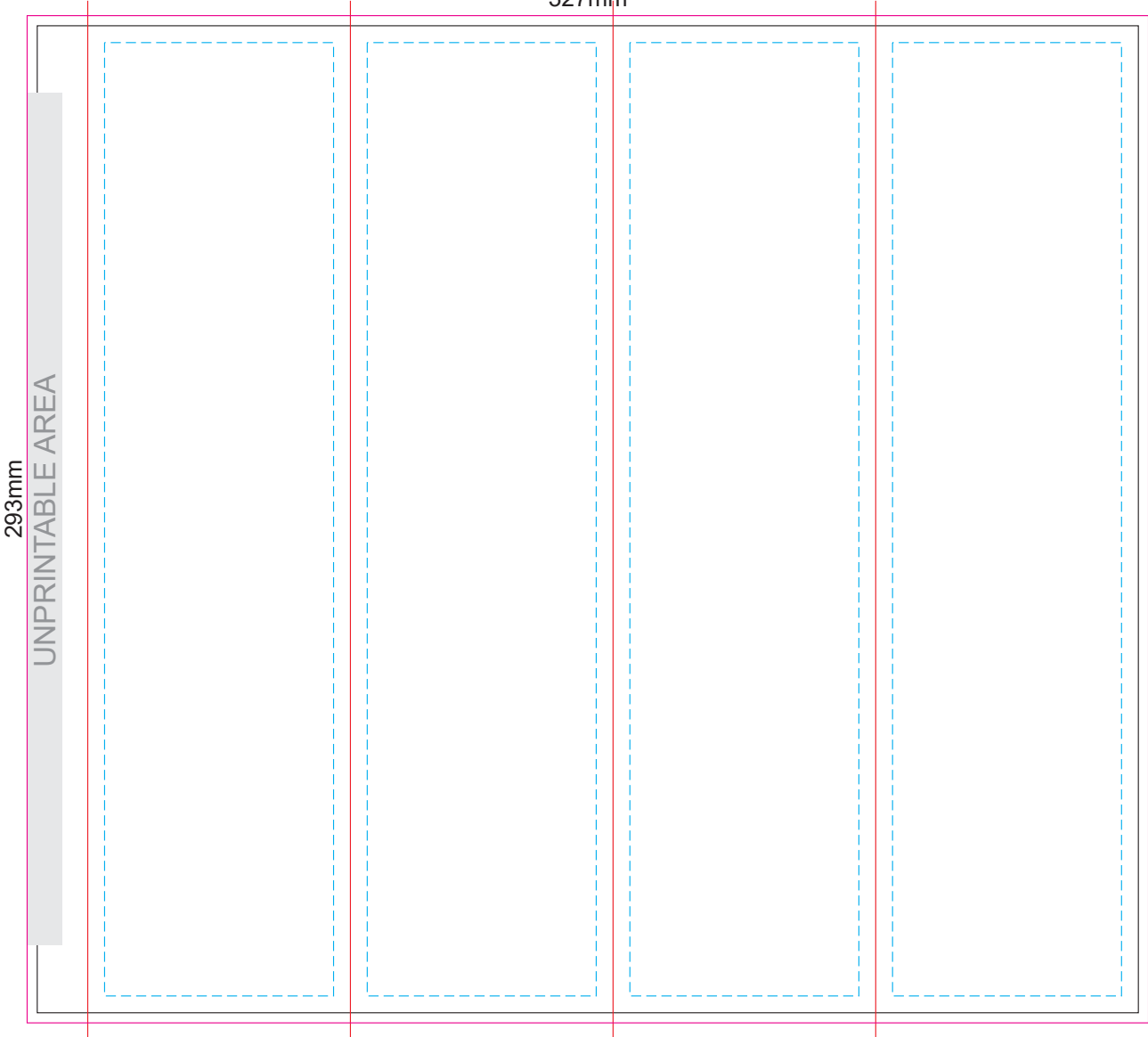


GIFT BOX SLEEVE

50% of Actual Size

Digital Label

327mm



Blue Line = The SIGNIFICANT PRINT AREA
(Keep all critical images & text within this box)

Black Line = Maximum print area

Pink Line = Bleed off to here

Red Line = Fold Line